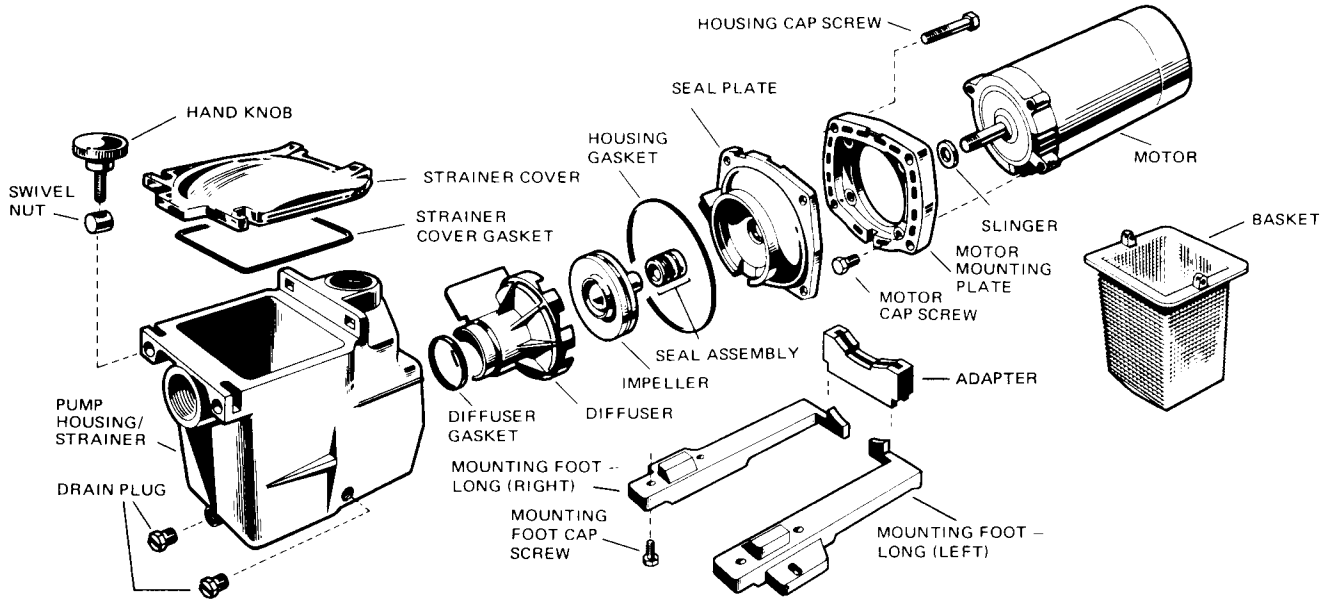




Super Pump®

SP2600 PUMP SERIES REPLACEMENT PARTS

Parts for Pump Models: SP2600, 2605, 2607, 2610, 2615, 2621



Part No.	Description	Ctn. Qty.
SPX1600AA	Pump Housing/Stainer, 1 1/2" x 1 1/2", with Drain Plugs	1
SPX1620AA	Pump Housing/Stainer, 2" x 2", with Drain Plugs	1
SPX1600T	Housing Gasket	10
SPX1600R	Diffuser Gasket	10
SPX1600TRA	Seal Assembly Kit (includes Seal Assembly, Housing and Diffuser Gaskets)	10
SPX1600D	Strainer Cover, clear Lexan®	10
SPX1600S	Strainer Cover Gasket	20
SPX1600M	Basket	20
SPX1600N	Swivel Nut	10
SPX1600P	Hand Knob	10
SPX1600PN	Hand Knob Kit (includes Swivel Nut and Hand Knob)	10
SPX1600V	1/4" Drain Plug (1991 and prior)	25
SPX1700FG	1/4" Drain Plug with Gasket	10
SPX1600GJ	Mounting Feet – Long (Set Left and Right w/Adapter and 4 Cap Screws)	1
SPX1600Z52	Mounting Foot Cap Screw (Set of 2 – 1995 and Prior, 2 sets required)	1
SPX1600Z2	Seal Assembly	10
SPX1600F	Motor Mounting Plate	2
SPX1600Z4	Housing Cap Screw	10
SPX0125Z44	Motor Cap Screw (Set of 4)	1
SPX0125F	Slinger	10
SPX2600B	Diffuser, for 1/3 thru 1 1/2 H.P.	1
SPX1616B	Diffuser, for 2 H.P. only	1
SPX2600E	Seal Plate, 1/3 thru 1 1/2 H.P.	2
SPX1611E	Seal Plate, for 2 H.P. only	2

Parts listed below must be ordered for specific model & H.P.:

SPX2600C	Impeller, for 1/3 H.P.	10
SPX2605C	Impeller, for 1/2 H.P.	10
SPX2607C	Impeller, for 3/4 H.P.	10
SPX2610C	Impeller, for 1 H.P.	10
SPX2615C	Impeller, for 1 1/2 H.P.	1
SPX1621C	Impeller, for 2 H.P.	1
SPX1600Z1B	Motor, 1/3 H.P., Threaded Shaft, (Single Phase, 60 Cycle 115V)	1
SPX1605Z1B	Motor, 1/2H.P., Threaded Shaft, (Single Phase, 60 Cycle 115/230V)	1
SPX1607Z1B	Motor, 3/4H.P., Threaded Shaft, (Single Phase, 60 Cycle 115/230V)	1
SPX1610Z1B	Motor, 1 H.P., Threaded Shaft, (Single Phase, 60 Cycle 115/230V)	1
SPX1615Z1B	Motor, 1 1/2 H.P., Threaded Shaft, (Single Phase, 60 Cycle 115/230V)	1
SPX1620Z1B	Motor, 2 H.P., Threaded Shaft, (Single Phase, 60 Cycle 230V)	1