

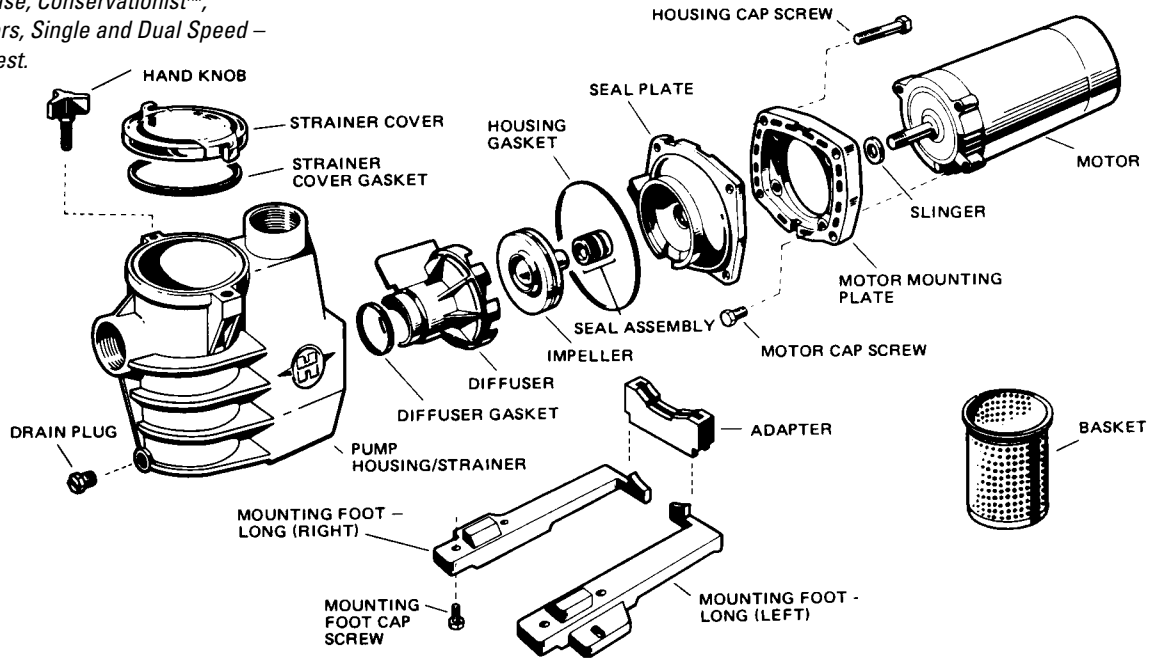


Max-Flo™

SP1800X PUMP SERIES (MAX RATED) REPLACEMENT PARTS

Parts for Pump Models: SP1800X5, 1805X7, 1807X10, 1808X10, 1810X15, 1811X15

NOTE: 60 Cycle 3 Phase, Conservationist™,
50 Cycle Motors, Single and Dual Speed –
Price on request.



Part No.	Description	Ctn.	Qty.
SPX1800AA	Pump Housing/Strainer, 1 1/2" x 1 1/2", Drain Plugs	1	
SPX2800AAC	Complete Housing Conversion Kit. Includes housing, strainer cover and gasket, basket, round hand knobs (2), and swivel nuts (2)	1	
SPX1600T	Housing Gasket	10	
SPX1600R	Diffuser Gasket	10	
SPX1600TRA	Seal Assembly Kit (includes Seal Assembly, Diffuser and Housing Gaskets)	10	
SPX1250LA	Strainer Cover, clear Lexan® w/Gasket	10	
SPX0125T	Strainer Cover Gasket	10	
SPX1250RA	Basket	10	
SPX1250Z4	Hand Knob	10	
SPX1600V	1/4" Drain Plug (1991 and prior)	25	
SPX1700FG	1/4" Drain Plug with Gasket	10	
SPX1600GJ	Mounting Feet – Long (Set Left and Right w/Adapter and 4 Cap Screws)	1	
SPX1600Z52	Mounting Foot Cap Screw (Set of 2 – 2 Sets Required)	1	
SPX1600Z2	Seal Assembly	10	
SPX1600F	Motor Mounting Plate	2	
SPX1600Z4	Housing Cap Screw	10	
SPX0125Z44	Motor Cap Screw (Set of 4)	1	
SPX0125F	Slinger	10	
Med. Hd.	High Hd.	Parts listed below must be ordered for specific model & H.P.:	
SPX2800CKIT*	—	1/2 H.P. Drive Train Upgrade	1
SPX2805CKIT*	—	3/4 H.P. Drive Train Upgrade	1
SPX2807CKIT*	—	1 H.P. Drive Train Upgrade	1
SPX2810CKIT*	—	1 1/2 H.P. Drive Train Upgrade	1
SPX2815CKIT*	—	2 H.P. Drive Train Upgrade	1
—	SPX1611E	(All above kits include: Impeller, Diffuser, Seal Plate, Housing Gasket, and Diffuser Gasket) Seal Plate – 1/2, 3/4, 1, 1 1/2, 2 H.P.	10
SPX1600Z1M	—	Motor, 1/2 H.P., Threaded Shaft, (Single Phase, 60 Cycle 115V)	1
SPX1605Z1M	—	Motor, 3/4 H.P., Threaded Shaft, (Single Phase, 60 Cycle 115/230V)	1
SPX1607Z1M	—	Motor, 1 H.P., Threaded Shaft, (Single Phase, 60 Cycle 115/230V)	1
SPX1610Z1M	—	Motor, 1 1/2 H.P., Threaded Shaft, (Single Phase, 60 Cycle 115/230V)	1

*NOTE: For pumps with an "SP1800X—" part number (manufactured before 1983), the use of these new kits (SPX2800CKIT – SPX2815CKIT) will upgrade the old pump to our current "SP2800X—" series. This will improve GPM, reduce noise and provide slightly better energy efficiencies. All individual components included in kits are not available.