

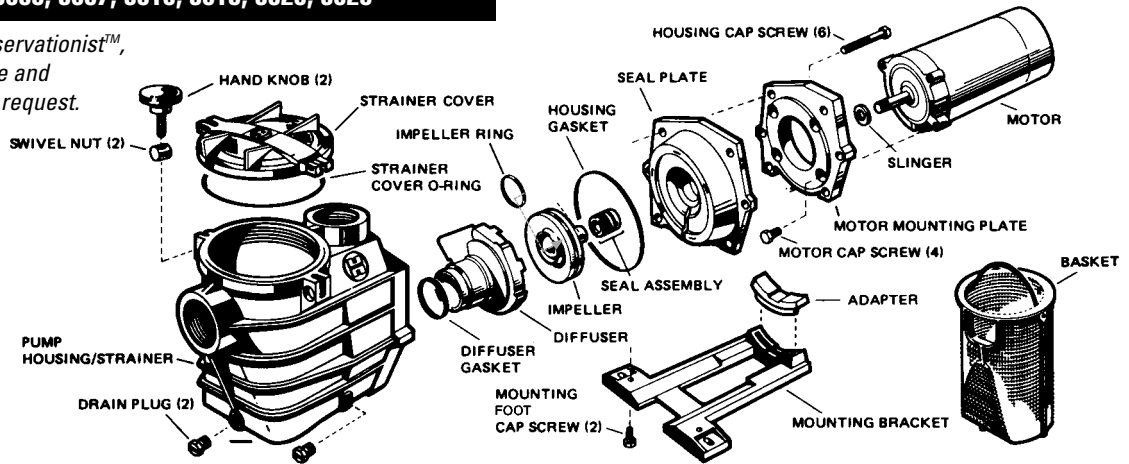


# Super II™

## SP3000 PUMP SERIES REPLACEMENT PARTS

### Parts for Pump Models: SP3005, 3007, 3010, 3015, 3020, 3025

NOTE: 60 Cycle 3 Phase, Conservationist™, 50 Cycle Motors, Single and Dual Speed – Price on request.



Part No.	Description	Ctn. Qty.
SPX3000AA	Pump Housing/Strainer, 1 1/2" x 1 1/2", with Drain Plugs	1
SPX3020AA	Pump Housing/Strainer, 2" x 2", with Drain Plugs	1
SPX3120AAZ	Pump Housing/Strainer, 2" x 2", with Drain Plugs, threaded style	1
SPX3000T	Housing Gasket	10
SPX1600R	Diffuser Gasket	10
SPX3000TRA	Seal Assembly Kit (includes Seal Assembly, Housing and Diffuser Gaskets)	10
SPX3000D	Strainer Cover, clear Lexan®	10
SPX3100D	Strainer Cover, Thread-in Style (E-Z Flo, AZ)	10
SPX3000S	Strainer Cover O-Ring	10
SPX3000M	Basket	15
SPX1600N*	Swivel Nut	10
SPX1600P*	Hand Knob	10
SPX1600PN	Hand Knob Kit (includes Swivel Nut and Hand Knob)	10
SPX1600V	1/4" Drain Plug (1991 and prior)	25
SPX1700FG	1/4" Drain Plug with Gasket	10
SPX3000GA	Mounting Bracket w/Adapter and 2 Cap Screws	1
SPX1600Z52	Mounting Foot Cap Screw (Set of 2)	1
SPX1600Z2	Seal Assembly	10
SPX3000F	Motor Mounting Plate	1
SPX1600Z4	Housing Cap Screw	10
SPX3000Z26	Washer, 3/8" – for cap screw (Set of 6)	1
SPX0125Z44	Motor Cap Screw (Set of 4)	1
SPX0125F	Slinger	10
SPX2600B	Diffuser, for 1/2 through 1 1/2 H.P. (1987 and prior)	1
SPX3000BN	Diffuser, for 1/2 through 1 1/2 H.P. (After 1988)	1
SPX3000B	Diffuser, for 2 and 3 H.P. (1989 and prior)	1
SPX3021B	Diffuser, for 1 1/2, 2 and 3 H.P. (After 1990)	1
SPX3000E	Seal Plate, for SP-2600 Series Impellers	1
SPX3020E	Seal Plate, for SP-3000 Series Impellers	1
SPX3005R	Impeller Ring – 3/4 through 2 H.P. (SP3000 Series Impellers)	1
SPX3021R	Impeller Ring – 1 1/2, 2 & 3 H.P. (SP3016C, 3021C, 3026C Impellers)	1

### Parts listed below must be ordered for specific model & H.P.:

1987	1988		
SPX2605C	SPX3005C	Impeller, for 1/2 H.P.	10
SPX2607C	SPX3007C	Impeller, for 3/4 H.P.	10
SPX2610C	SPX3010C	Impeller, for 1 H.P.	10
SPX2615C	SPX3015C	Impeller, for 1 1/2 H.P.	1
1989	1990		
—	SPX3016C	Impeller, for 1 1/2 H.P.	1
SPX3020C	SPX3021C	Impeller, for 2 H.P.	1
SPX3025C	SPX3026C	Impeller, for 3 H.P.	1
SPX1607Z1B		Motor, 3/4 H.P., Threaded Shaft, (Single Phase, 60 Cycle 115/230V)	1
SPX1610Z1B		Motor, 1 H.P., Threaded Shaft, (Single Phase, 60 Cycle 115/230V)	1
SPX1615Z1B		Motor, 1 1/2 H.P., Threaded Shaft, (Single Phase, 60 Cycle 115/230V)	1
SPX1620Z1B		Motor, 2 H.P., Threaded Shaft, (Single Phase, 60 Cycle 230V)	1
SPX1625Z1M		Motor, 3 H.P., Threaded Shaft, (Single Phase, 60 Cycle 230V)	1
SPX0160Z1D		Motor, 3 H.P., Threaded Shaft, (Three Phase, 60 Cycle 230/460V)	1

\*Limited Quantity Available – Replace with SPX1600PN.