



Pro™ Series

S180T, 210T, 220T, 244T SAND FILTER SERIES REPLACEMENT PARTS

Parts Diagram

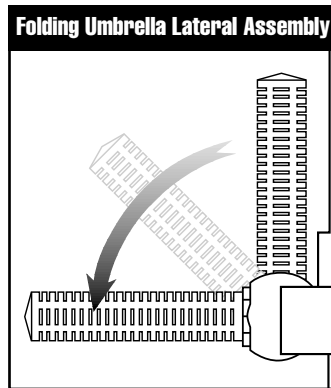
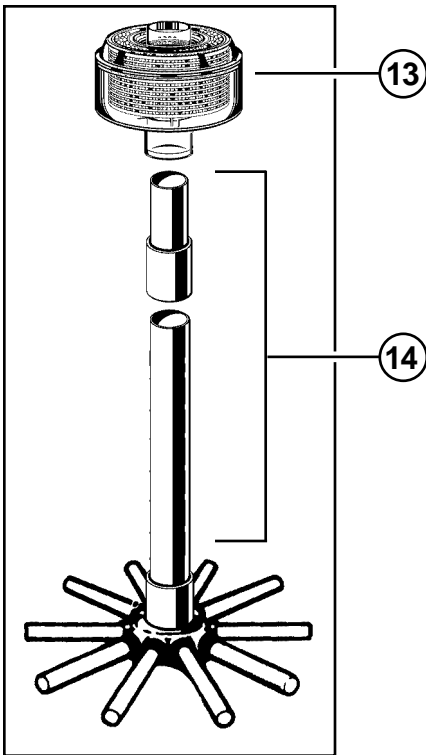
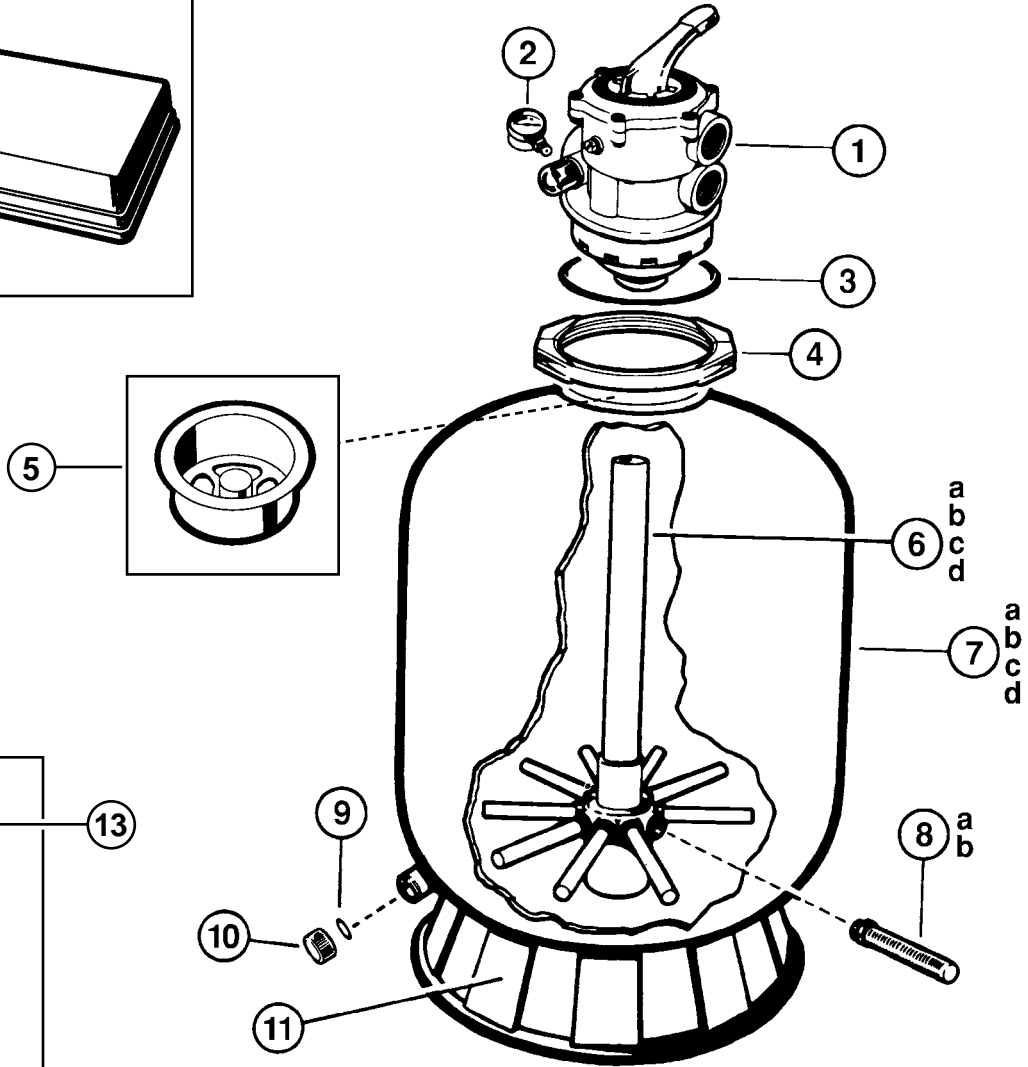
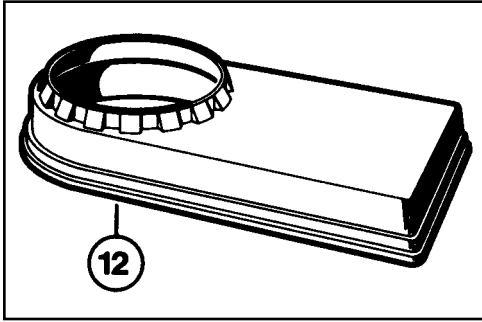


Diagram A

Filters

Parts Listing

Ref.No.	Part No.	Description	Ctn. Qty.	No. Req'd
1	SP0714T	Vari-Flo XL Control Valve – 1 1/2"	1	1
2	ECX270861	Pressure Gauge	10	1
3	GMX600F	Valve / Tank O-Ring	10	1
4	GMX600NM	Flange Clamp, Noryl	5	1
5	SX202S	Sand Shield (1997 -)	5	1
6a	SX180DA	Folding Umbrella Lateral Ass'y w/Center Pipe (S180T) (1997 -) – See Diag. A	1	1
6b	SX210DA	Folding Umbrella Lateral Ass'y w/Center Pipe (S210T) (1997 -) – See Diag. A	1	1
6c	SX220DA	Folding Umbrella Lateral Ass'y w/Center Pipe (S220T) (1997 -) – See Diag. A	1	1
6d	SX244DA	Folding Umbrella Lateral Ass'y w/Center Pipe (S244T) (1997 -) – See Diag. A	1	1
7a	SX180AA2	Filter Tank with Skirt, Drain, Lateral Assembly (S180T)	1	1
7b	SX210AA1	Filter Tank with Skirt, Drain, Lateral Assembly (S210T)	1	1
7c	SX220AA1	Filter Tank with Skirt, Drain, Lateral Assembly (S220T)	1	1
7d	SX244AA1	Filter Tank with Skirt, Drain, Lateral Assembly (S244T)	1	1
8a	SX200Q	Lateral (S180T)	10	10
8b	SX240D	Lateral (S210T, S220T, S244T)	10	10
9	SX180G	Gasket	25	1
10	SX180H	Drain Cap	25	1
11	SX200J	Filter Support Stand (Skirt)	2	1
12	SX180K	System Base – S180T Systems	2	1
13	N2SABG	Nature ² Canister	1	1
14	SX180DAN2KIT*	Folding Umbrella Lateral Ass'y w/Center Pipe (S180T) for Nature ² Canister (2000 -)	1	1

* Lateral Assembly for Nature² Canister is shorter than Lateral Assembly for Filter without Canister.