

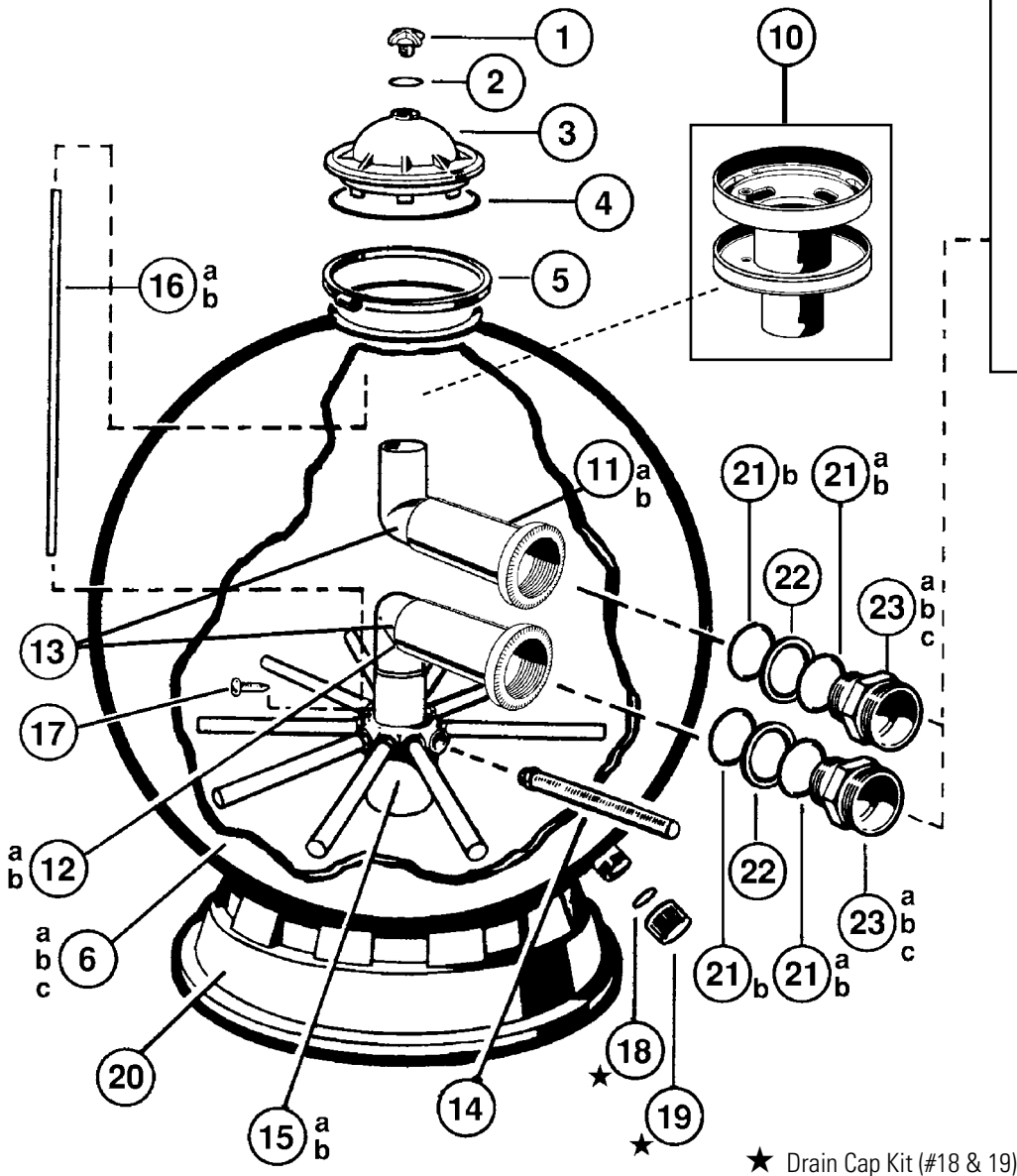


Pro™ Series Plus

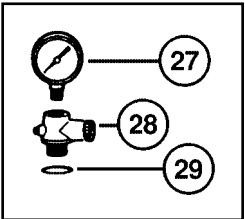
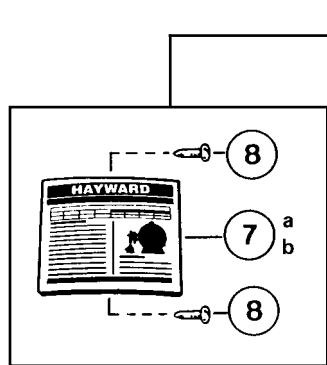
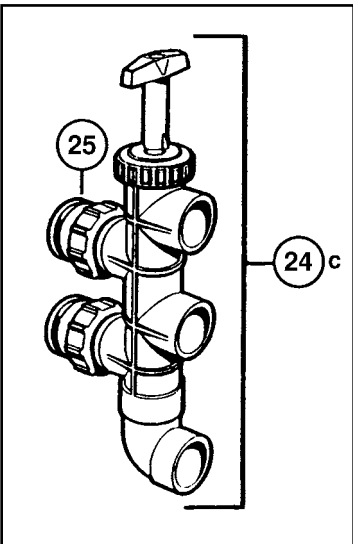
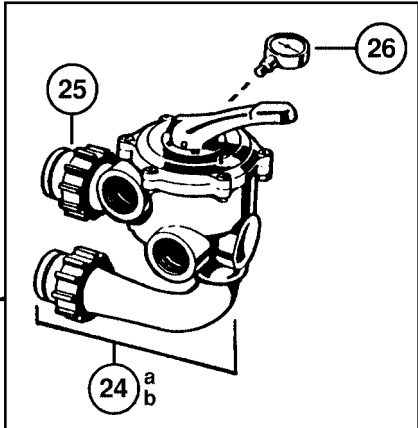
S311SX, 311SXV, 360SX SAND FILTER SERIES REPLACEMENT PARTS

Parts Diagram

Filters



★ Drain Cap Kit (#18 & 19)



Folding Umbrella Lateral Assembly

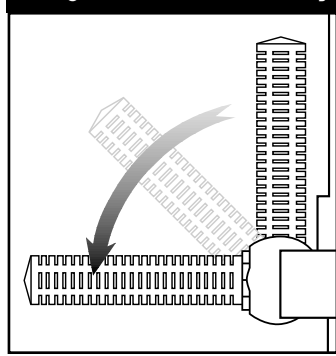


Diagram A

Parts Listing

Ref.No.	Part No.	Description	Ctn Qty.	No. Req'd
1	SX200G	Manual Air Relief Cap	10	1
2	SX200Z5	O-Ring, 13/16" O.D.	10	1
3	SX244KN	Top Closure Dome, Noryl®	5	1
4	GMX600F	Valve/Tank O-Ring	5	1
5	SX310N	Flange Clamp (Valve/Tank)	5	1
6a	SX311AA2	Filter Tank (S311 – 1995 and Prior)	1	1
6b	SX311AA2FW	Filter Tank (S311 – After 1996)	1	1
6c	SX360AA2	Filter Tank (S360 – 1999 and Prior)	1	1
6d	SX360AA2FW	Filter Tank (S360 – After 1999)	1	1
7a	SX311G	Label Plate with Label (S311)	5	1
7b	SX360G	Label Plate with Label (S360)	5	1
8	SX311Z1	Label Plate Screws	25	2
9a	SX311GK	Label Kit (Includes 7a & 8) (S311)	25	2
9b	SX360GK	Label Kit (Includes 7b & 8) (S360)	25	2
10	SX244G	Top Diffuser Assembly	5	1
11a	SX311CD1	Top Elbow Assembly (S311 – 1995 and Prior)	1	1
11b	SX311CD1FW	Top Elbow Assembly (S311 – After 1996)	1	1
12a	SX311CD2	Bottom Elbow Assembly (S311 – 1995 and Prior)	1	1
12b	SX311CD2FW	Bottom Elbow Assembly (S311 – After 1996)	1	1
13a	SX360CD	Elbow Assembly, Top & Bottom (S360 – 1999 and Prior)	1	2
13b	SX360CDFW	Elbow Assembly, Top & Bottom (S360 – After 1999)	1	2
14	SX310HA	Lateral	10	10
15a	SX311DA	Folding Umbrella Lateral Holder Assembly (S311 – 1997 -) – See Diagram A	5	1
15b	SX242MA3	Folding Umbrella Lateral Holder Assembly (S360) – See Diag. A	5	1
16a	CX1100Z4	Plastic Air Tube (S311)	5	1
16b	SX360Z2	Air Tube (S360)	5	1
17	SX200Z2	Air Tube Lock screw	25	1
18	SX180G	Gasket	25	1
19	SX180H	Drain Cap	25	1
★	SX180HG	Drain Cap Kit (Includes 18 & 19)	25	1
20	SX310J	Filter Support Stand	1	1
21a	SX220Z3	O-Ring (S311 – 1995 and Prior)	10	2
21b	SX360Z1	O-Ring (S311, S360 – After 1995)	20	4
22	SX360E	O-Ring Spacer (S311, S360 – After 1995)	10	2
23a	DEX360F	Bulkhead Fitting (S311 – 1995 and Prior)	10	2
23b	SX244P	Bulkhead Fitting (S311 – After 1996, S360 – After 1999)	10	2
23c	SX311F	Bulkhead Fitting (S360 – 1999 and Prior)	5	2
24a	SP0710X62	Vari-Flo Valve Assembly – 1 1/2" FIP	1	1
24b	SP0715X62	Vari-Flo Valve Assembly – 2" FIP	1	1
24c	SP0410X602S	Slide Valve Assembly – 2" SKT	1	1
25	SX200Z4	O-Ring	10	2
26	ECX270861	Pressure Gauge	10	1
Optional (Supplied with Model S311SXV Slide Valve Unit Only)				
27	ECX270861	Pressure Gauge	10	1
28	DEX2400S	Relief Valve/Gauge Adapter Assembly	5	1
—	DEX2400Z3A	O-Ring for Relief Valve Stem (Set of 3)	10	1
29	SX200Z5	Relief Valve Assembly O-Ring	25	1